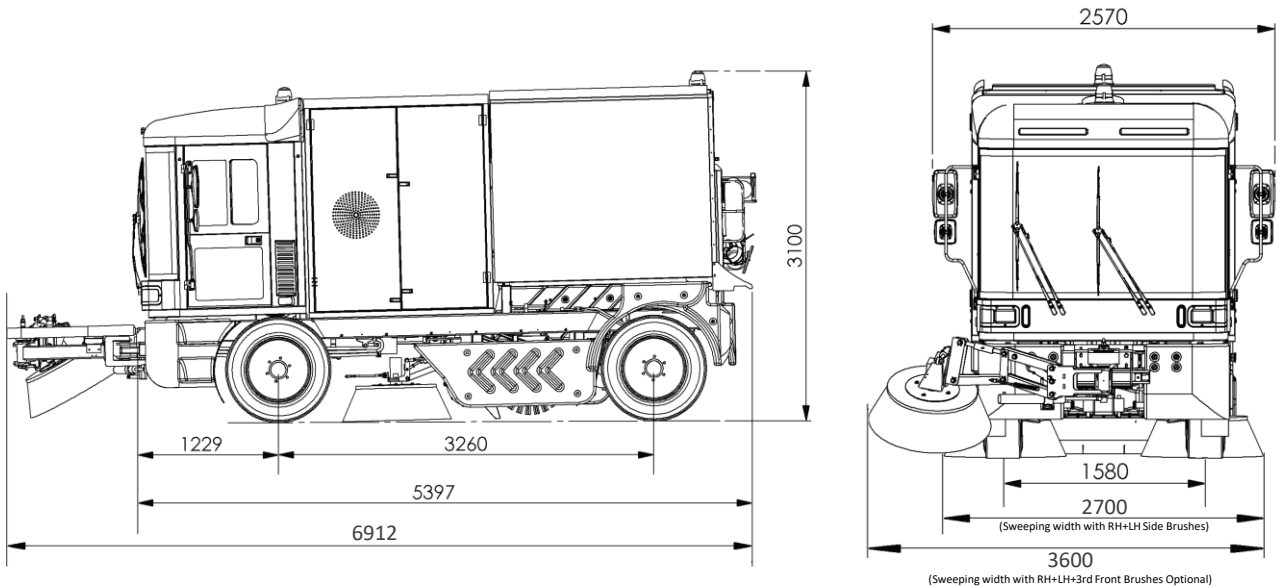


# Specification Sheet



**Model: GM955**  
**Subject: Technical Information & Data**

Sheet 1 of 2  
 Revision: A  
 Date: 25.09.2022



## Data & Performance Information

### Engine

Brand	Mercedes Benz
Model	OM904LA E3A/1, Turbo Diesel Engine, Water Cooled.
No. of Cylinders	4 in-line direct ignition
Displacement	4294 cc
Max Power	129 kW (175 HP)
Max Torque	675 Nm

### Capacities

Hopper Volume	6.0 m <sup>3</sup>
Water Tank	560 Litres
Fuel Tank	120 Litres
Hydraulic Tank	300 Litres
Full Load Weight	13,700 Kg
Dump height	1150mm (Standard Container) 2300mm (Optional High Dump Container)

### Performances

Sweeping System	Mechanical – Suction – Filtering
Sweep Rate	65,000 m <sup>2</sup> /h
Sweeping Width	1320mm (Only with Central Brush)
	2700mm (With Central Brush + RH + LH Side Brushes)
	3600mm (With Central Brush + RH + LH Side Brushes + 3 <sup>rd</sup> front brush option)
Central Brush	Length: 1320mm, Diameter: 650mm
Side Brushes	Outer Diameter: 1000mm
Front Brush	Outer Diameter: 1300mm
Working Speed	0 - 20 Km/h
Transfer Speed	0 - 40 Km/h
Turning Radius	5300mm (Without 3 <sup>rd</sup> Brush)

### Tyres

Front	295/60 R22,5
Rear	295/60 R22,5

**Note:** Technical data are indicative and subject to change without notice. Photos are representative and will not reflect your configured product.

# Specification Sheet



**Model: GM955**

**Subject: Technical Information & Data**

Sheet 2 of 2

Revision: A

Date: 25.09.2022



**The GM 955 comes with the latest generation of the CPC4-Ecan Controller**



**Single Console Panel Featuring simple & user friendly buttons**





**Made of special microstructure fabric that collects the smallest dust particles**



**Large, curved windscreen for full visibility**

## Standard Equipment



**Diesel Engine "Mercedes" 4 Cylinders  
129 Kw CE/68 – EU Stage 3A/1**

- Waste hopper capacity 6 m<sup>3</sup>**
- Cabin pressurized and air-conditioned**
- Hydraulic self-levelling suspension on rear wheels**
- Ergonomic & adjustable seats**
- Right and left side brushes**
- Central broom**
- Special PM10 antipollution filter**
- Dumping height h 1150 mm**
- Manual centralized greasing system**
- Hydraulic automotive drive on front axle**
- Power steering on 4 wheels**
- Others: As per Green Machines Standards**

## Options

 = Recommended Option

High Dump (Dumping Height 2300m)	Rear Camera and Monitor 
Front Third Brush	Side Broom Camera (Single) 
High Pressure Water Spray System 	Reinforced Front Bumper
Dust Protection Hood for Side Brooms 	Radio / CD Player
Wanderhose, Hose Dia 150mm & Length: 6m 	Fire Extinguisher
<u>Manual</u> Centralized Greasing System (with Hand Pump) 	Spare Wheel (supplied loose, not on board)
Automatic Central Greasing System	Custom Colour Special (Standard is White)
Automatic Central Greasing System (Complete with Front Broom)	

**Note:** Technical data are indicative and subject to change without notice. Photos are representative and will not reflect your configured product.